

LAK 145



Lancia

Thesis

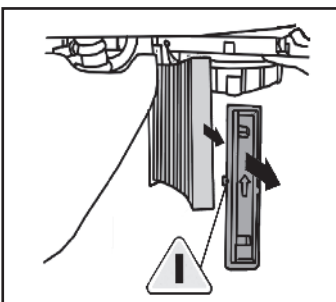
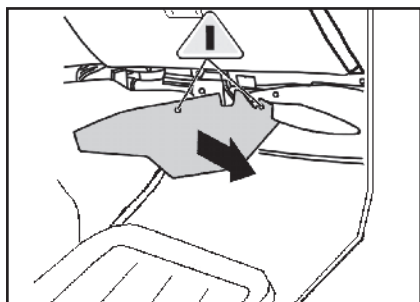
04/02 ➡➡

© MAHLE

LAK 145



Lancia Thesis



© MAHLE