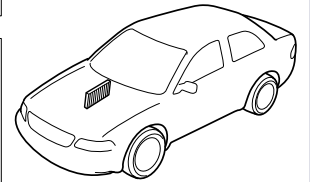
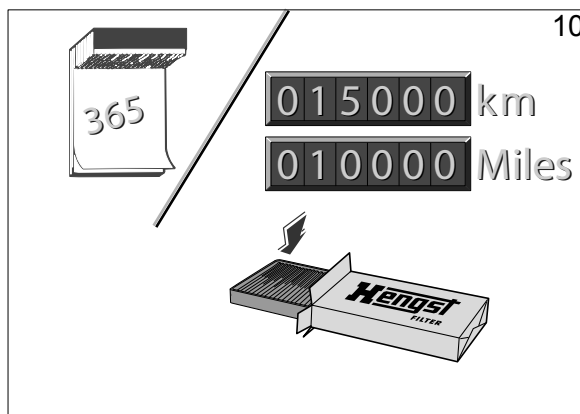
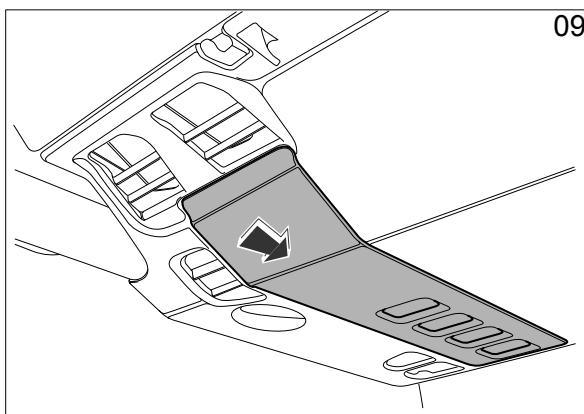
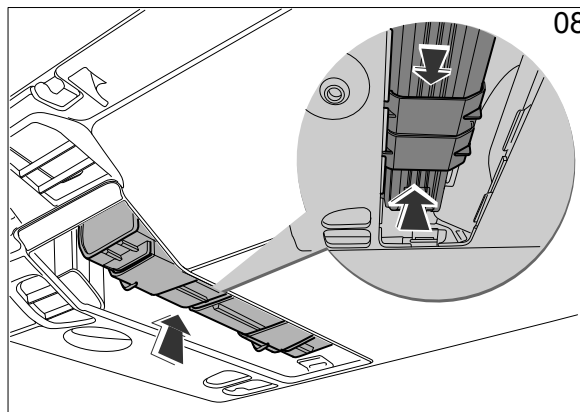
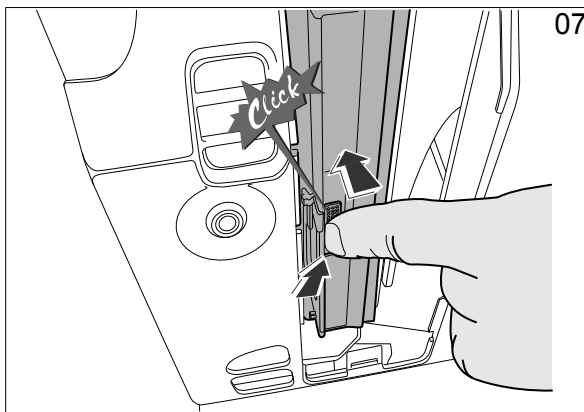
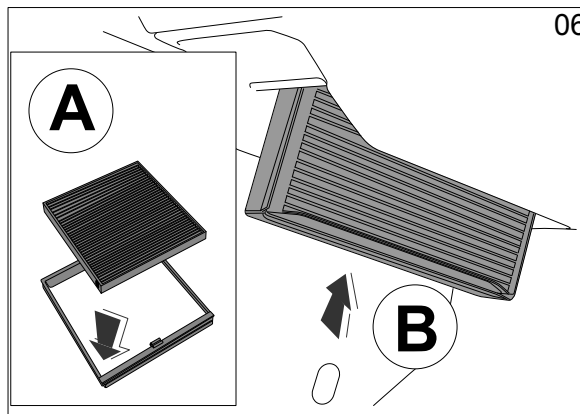
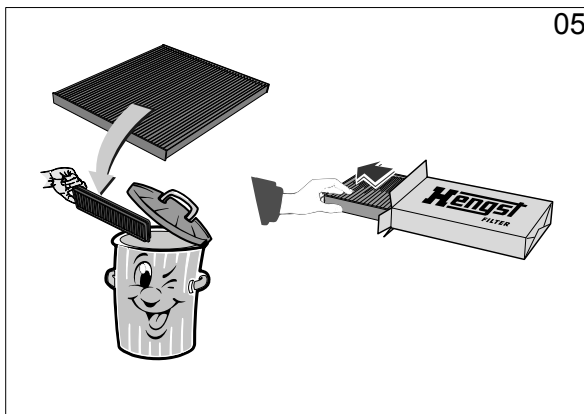
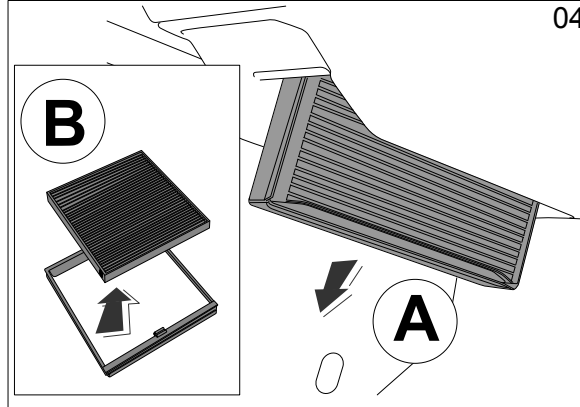
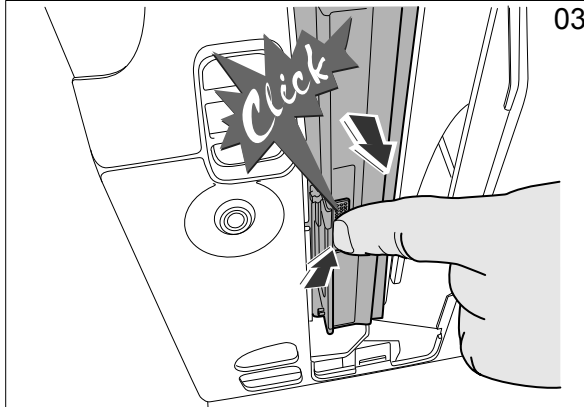
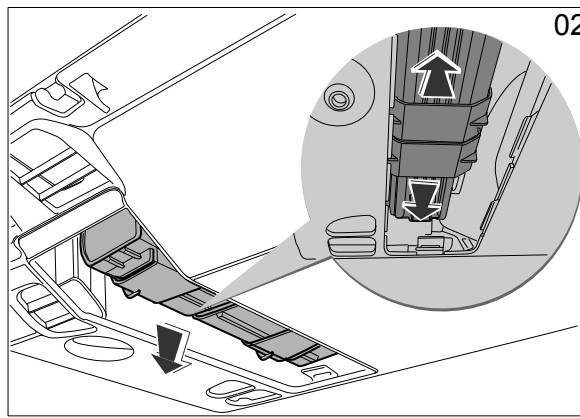
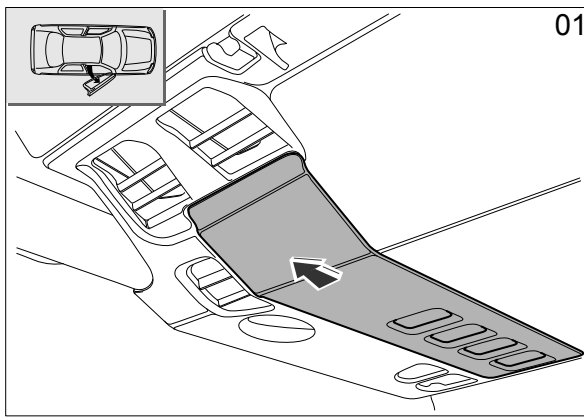


E961LI
E961LC

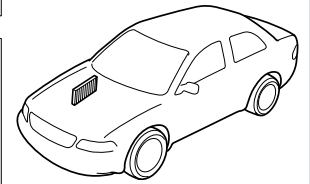


AUDI
A2 (8ZO)

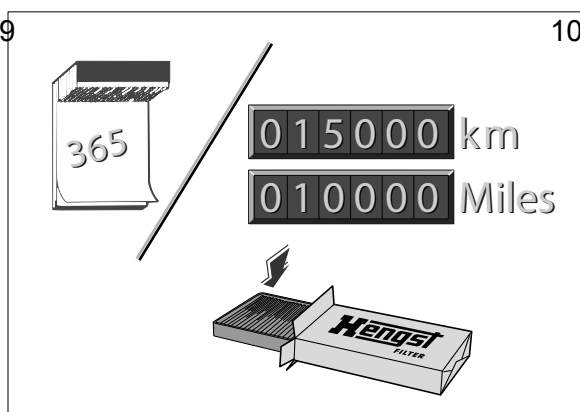
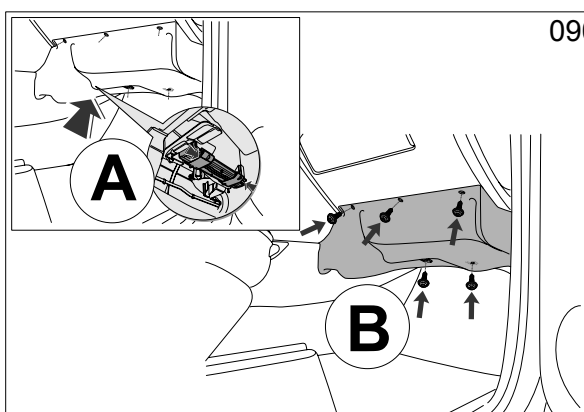
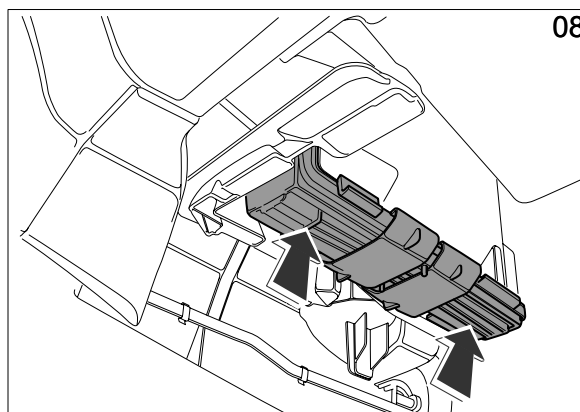
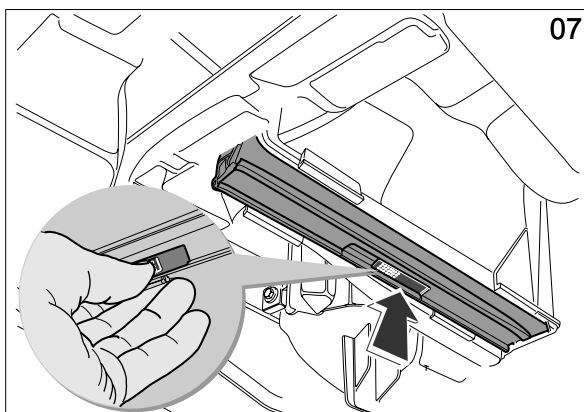
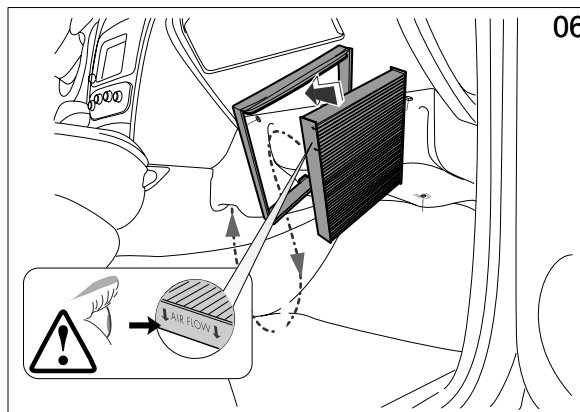
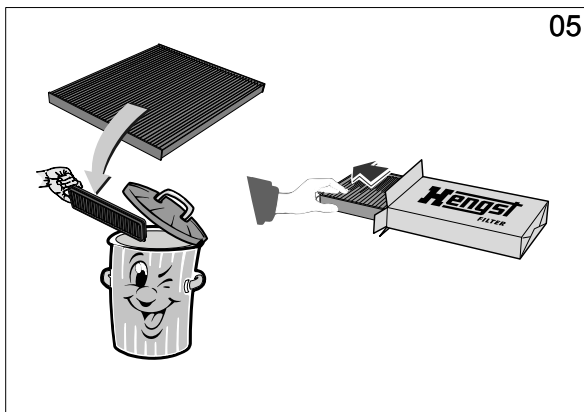
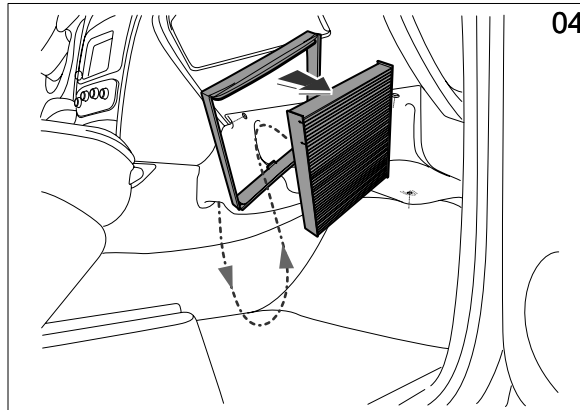
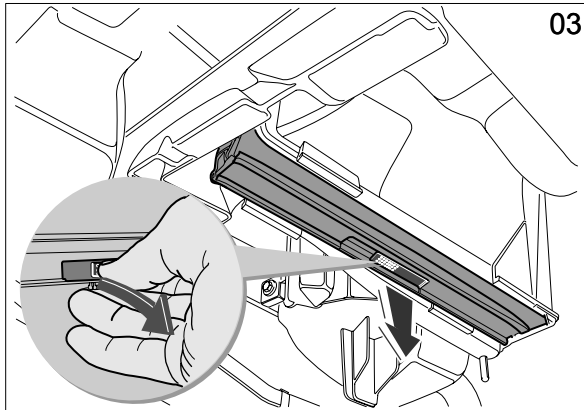
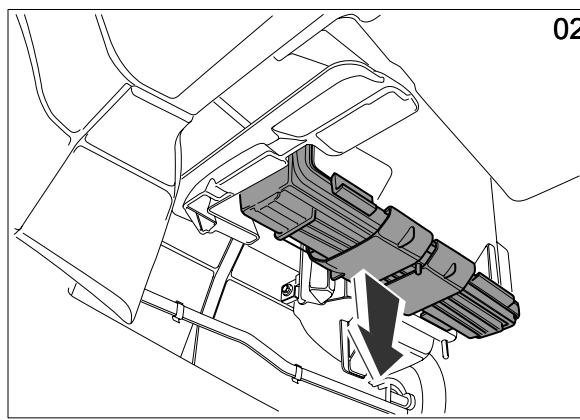
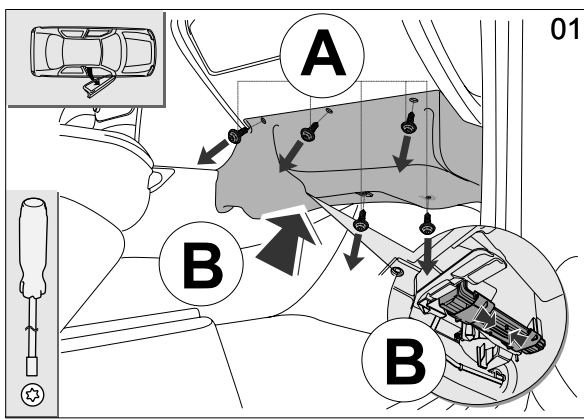


Hengst[®]
FILTER

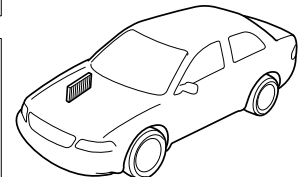
E961LI
E961LC



MERCEDES
G-Klasse (W463)

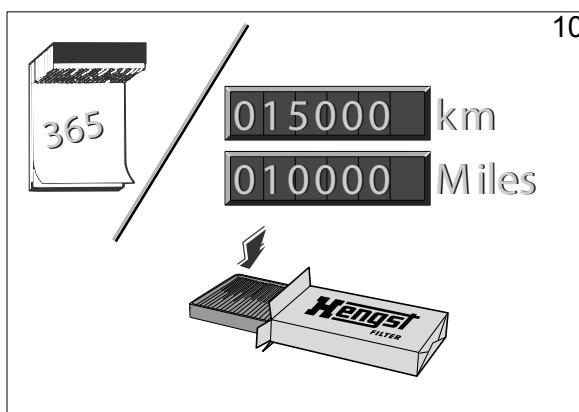
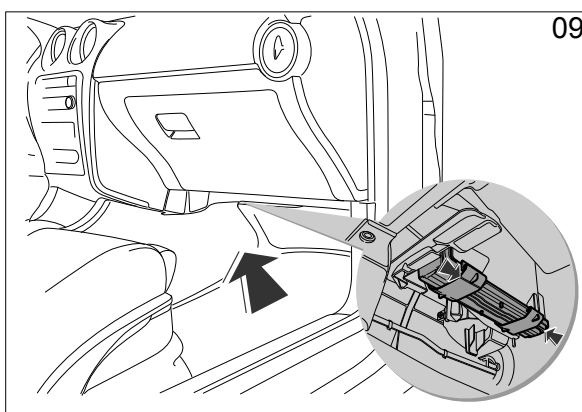
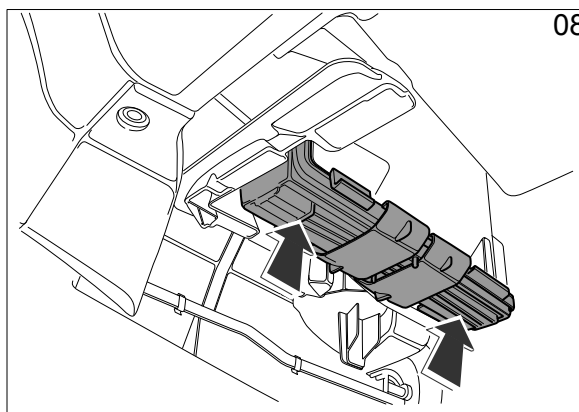
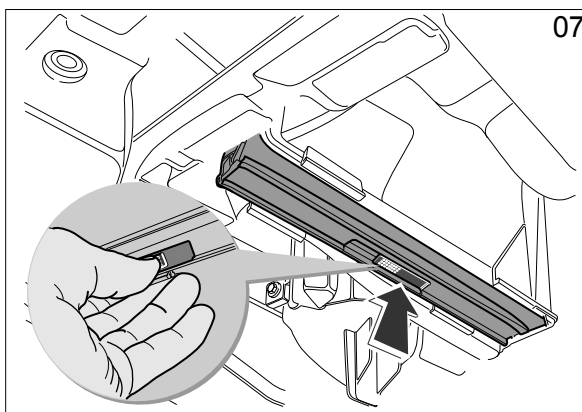
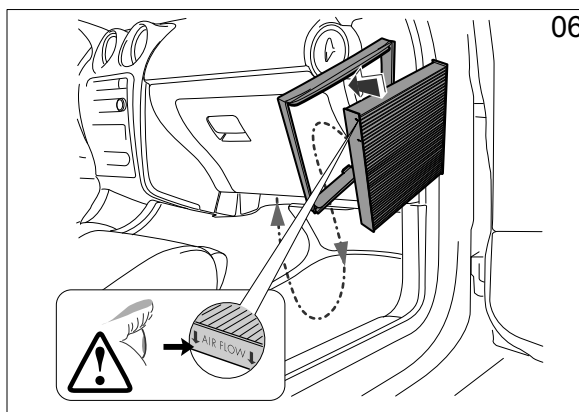
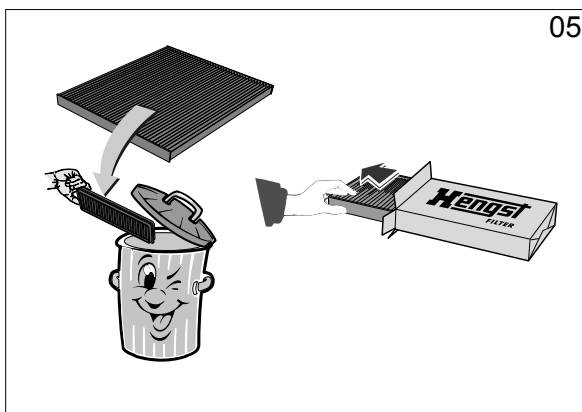
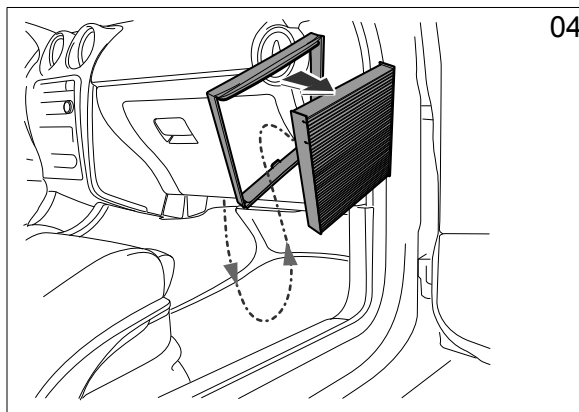
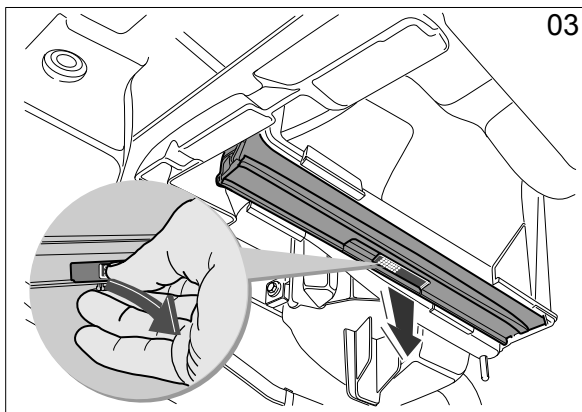
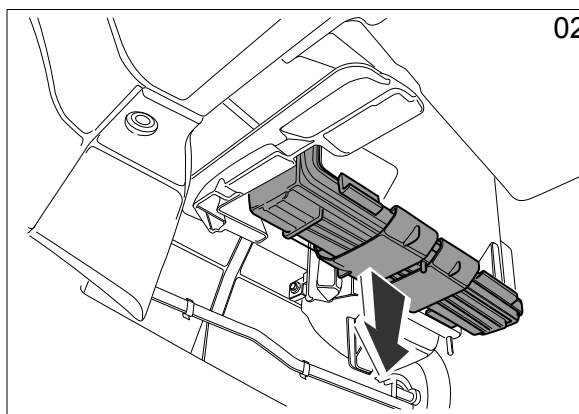
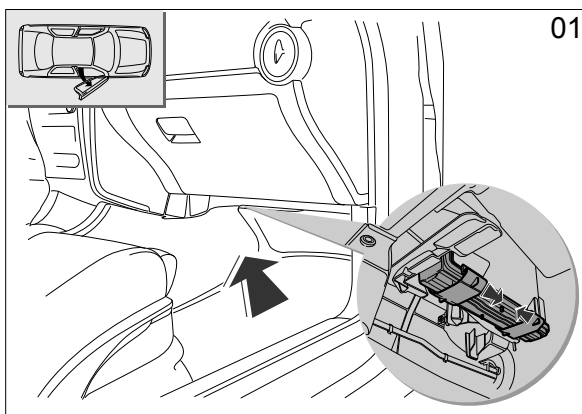


E961LI
E961LC

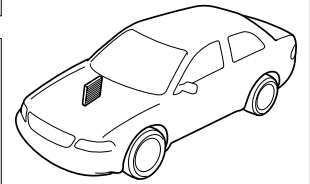


SEAT
Cordoba III (6L2)
Ibiza IV (6L1)

SKODA
Fabia II (6Y2/3/5)
Fabia III (5J6/9)
Praktik
Roomster



E961LI
E961LC



VW
Fox (5Z)
Polo IV (9N)

