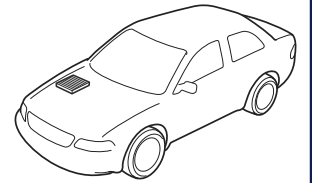
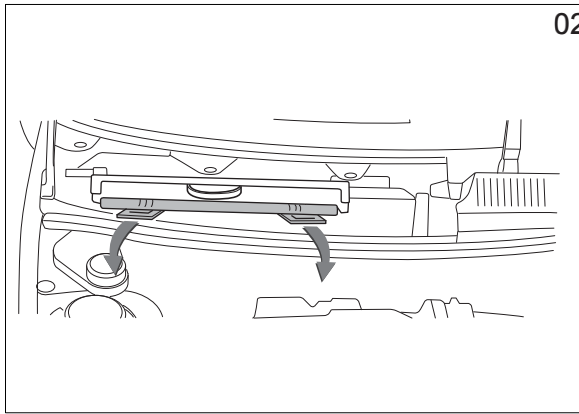
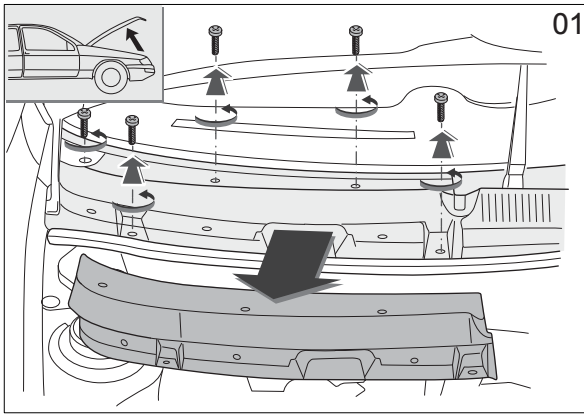


Hengst[®]
FILTER

E908LI

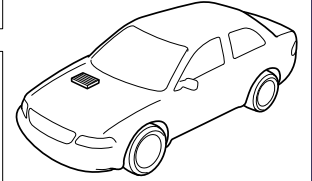
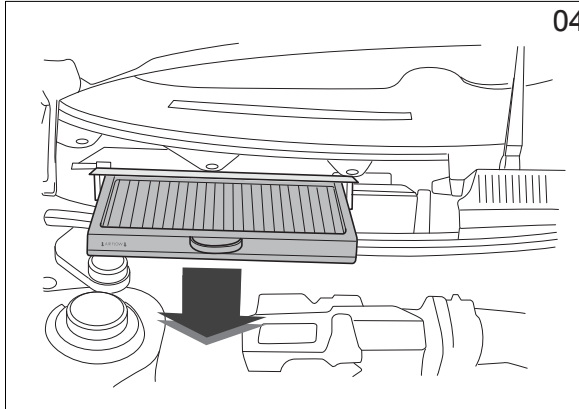
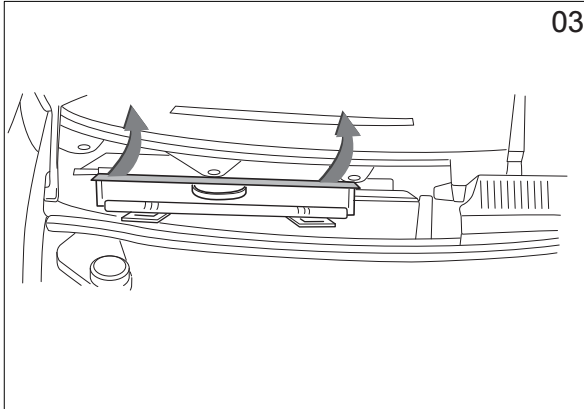


FORD
Fiesta



Hengst[®]
FILTER

E908LI



**FORD
KA
Puma**

